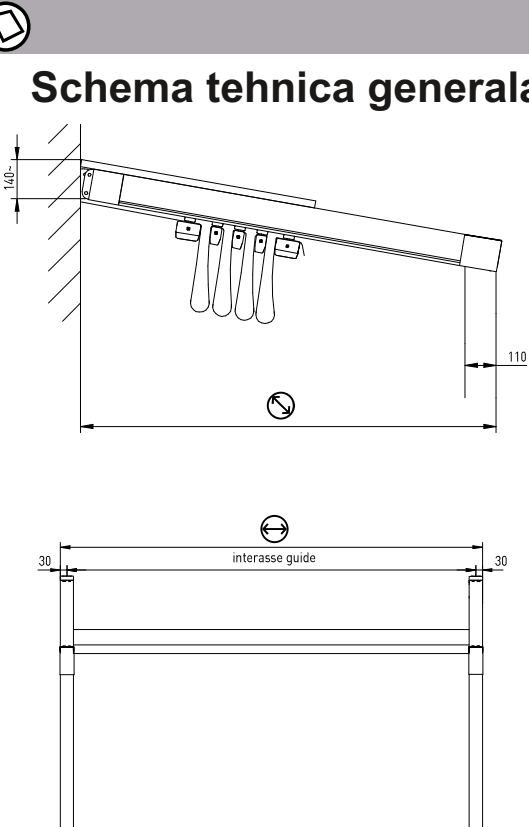
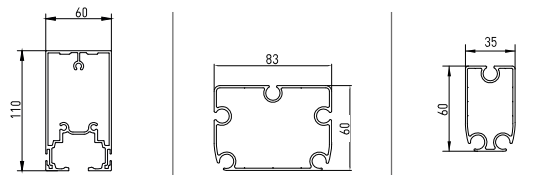


Pergola retractabila aluminiu A100 LUX

Schema tehnica generala



Sectiuni profile



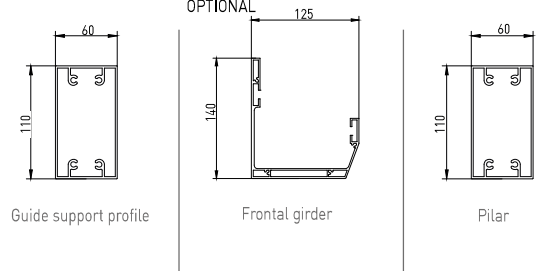
Guide

Terminal bar profile

Fabric carrying

Sectiuni profile

OPTIONAL

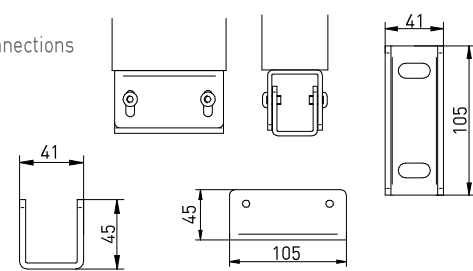


Guide support profile

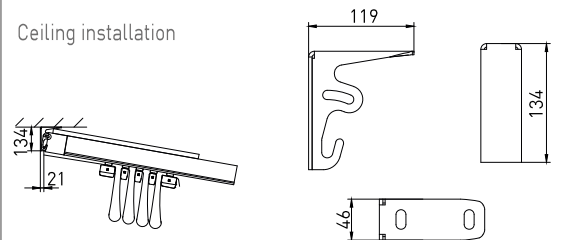
Frontal girder

Pilar

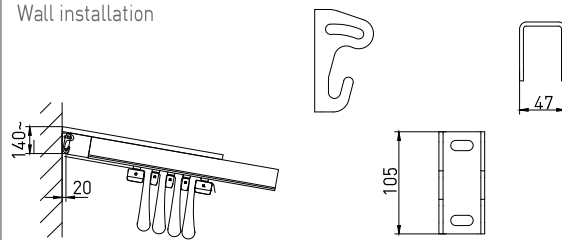
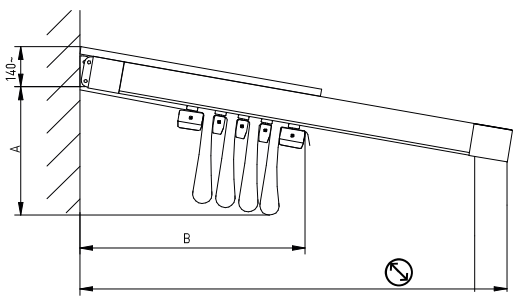
Ground connections



Ceiling installation



Wall installation

Indicative values of the fabric encumbrance and the number of the fabric carrying crossbar profiles. Attention: the indicated values may change according to the inclination.

	A cm	B cm	N
250	39	50	5
300	40	55	5
350	41	60	6
400	42	66	7
450	43	71	8/10
500	44	71	9/13
550	45	76	10
600	45	81	10

N Crossbar profile numbers (terminals included). Maximum interaxis fabric carrying cross bar profiles measure cm 58.